



www.satronixindia.com

SATRONIX (INDIA) Pvt.Ltd.

OFFICE: 412, Laxmi Plaza, Laxmi Indl. Est., Link Rd, Andheri (W), Mumbai- 400 053.INDIA

Telfex : 91 22 26325242 Mob : 9820143488

Works: Unit No. 1, Electronic Sadan 1/Unit No.12, Electronic Sadan 3, Bhosari MIDC, PUNE -411026, INDIA

Email: satronix@gmail.com, sales@satronixindia.com, sales@satronix.net Tele: 91(020) 27122758 FAX: 91(020) 27122758

SINGLE PHASE SOLID STATE RELAYS – DC -AC SJDA-330/480-., SAA-330/480-., SERIES

Features

- Direct control by integrated circuits.
- Normal open type.
- Optically isolated.
- Zero Voltage Turn-On, Zero Current Turn-off.
- Random voltage turn-on for inductive load.
- Built-in snubber.
- High Dielectric Strength.
- No noise feedback from output to input circuits.
- No noise due to load current switching at near zero.
- Faster switching response.
- Requires minimum actuation power.
- Chassis mount.

(J: Zero voltage turn-on; K: Random turn-on)



Control Voltage	operational voltage				
		10 A	16 A	25 A	40 A
3 - 32 VDC	330 VAC rms	SJDA-330-10	SJDA-330-16	SJDA-330-25	SJDA-330-40
80 - 280 VAC	330 VAC rms	SAA-330-10	SAA-330-16	SAA-330-25	SAA-330-40
17- 80 VAC	330 VAC rms	*	*	*	*
3 - 32 VDC	480 VAC rms	SJDA-480-10	SJDA-480-16	SJDA-480-25	SJDA-480-40
80 - 280 VAC	480 VAC rms	SAA-480-10	SAA-480-16	SAA-480-25	SAA-480-40
17 - 80 VAC	480 VAC rms	*	*	*	*

* Available on request

K Random/Instant turn-on: **Type Selection SDA-330-10K, SAA-480-40K.**

Input Specifications

Type	SJDA - 330/480 - 10/16/25/40...	SAA - 330/480 - 10/16/25/40...	*
Control Voltage	3 - 32 VDC	80 - 280 VAC	17 - 80 VAC
Control Current Range	12mA	9-18 mA	
Pick-Up Voltage	3 VDC	180 VAC	
Drop Out Voltage	2 VDC	45 VAC	-
Input Resistance	Current regulator		

* Available on request

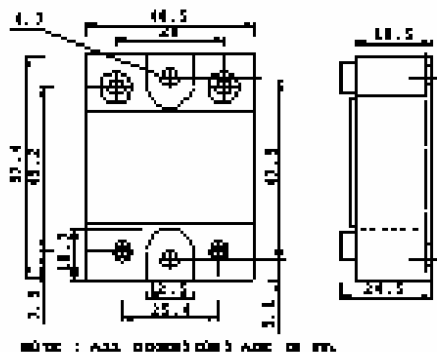
Output Specifications

Type	SJDA/SAA-330-10 SJDA/SAA-480-10	SJDA/SAA-330-16 SJDA/SAA-480-16	SJDA/SAA-330-25 SJDA/SAA-480-25	SJDA/SAA-330-40 SJDA/SAA-480-40
Current Range with proper heat sink (IT)	10 A	16 A	25A	40 A
Surge Current non-repetitive † =10msecs (ITMS)	120 A	160 A	260	300 A
Voltage Drop @ Current (VTM)	1.5 VACrms	1.5 VAC rms	1.5 VAC rms	1.5 VAC rms
Voltage Range (VRMS)	25-330VAC/25-480 VAC rms			
Over Voltage Rating (PIV) Transient Peak	800/1200 V Peak	800/1200 V Peak	800/1200 V Peak	800/1200 V Peak
Off-state leakage current @ voltage – (IDRM)	10 mA	10 mA	10mA	10 mA
Turn-on (max) – T-ON	10 ms	10 ms	10ms	10 ms
Turn-off (max) – T-Off	10 ms	10 ms		10 ms
Holding current (IH)	50 mA	70 mA	120mA	250 mA
Dv/Dt @Voltage (out)	400 V/ μs	400 V/ μs	400 V/ μs	400 V/ μs
I ² T Fusing I ² t (10 ms)	78 A ² S	144 A ² S	340 A ² S	800 A ² S

General Specifications

Type	SJDA/SAA-330-10 SJDA/SAA-480-10	SJDA/SAA-330-16 SJDA/SAA-480-16	SJDA/SAA-330-25/40 SJDA/SAA-480-25/40
Frequency Range	47 – 70 Hz	47 – 70 Hz	47 – 70 Hz
Dielectric Strength (Input to Output to Base)	2500 VAC –effective 4000 VAC –optional	2500 VAC –effective 4000 VAC –optional	2500 VAC –effective 4000 VAC –optional
Weight	Approx. 100 g		
Storage Temp.	– 40 °C to 100 °C		
Junction Temperature	100°C		

Dimensions



Characteristics curves

