



www.satronixindia.com

PCB MOUNT TYPE DC DC – SSR

SDD.P-60-3 / SDD.P-100-3 / SDD.P-200-3

Features

- MOSFET based Optically Isolated
- Economical photo coupler isolation
- No noise feedback from O/P to I/P circuits.
- Faster switching response.
- Long life highly reliable.
- LED indication.
- Capable of switching up to 3 amp loads.
- Low on-state Impedance.
- Higher ratings/ custom-built models are available on request
Available models
Interface modules also available.

SDD-60-3/5/10
SDD-100-3/5/10
SDD-200/3/5/10



Type Selection Guide

Input Control Voltage	Rated Operational Voltage	Casing	Rated Operational current AC rms.
			3/ 5 / 10 amps
3-32 VDC (5/12/24/32)	5-60 VDC	P- Pcb Mounting	SDD.P -60-3
			SDD.P-60-5
			SDD.P-60-10
3-32 VDC (5/12/24/32)	5-100 VDC		SDD.P-100-3
			SDD.P-100-5
			SDD.P-100-10
3-32 VDC (5/12/24/32)	5-200 VDC		SDD.P-200-3
			SDD.P-200-5
			SDD.P-200-10

Input Specifications

Type	SDD.P – 60 – 3/5/10	SDD.P-100-3/5/10	SDD. – 200 – 3/5/10
Input Control Voltage	3 – 32 VDC		
Reverse Voltage Protection	30 VDC		
Reverse Voltage	1.0 VDC		
Input Current	15 mA		

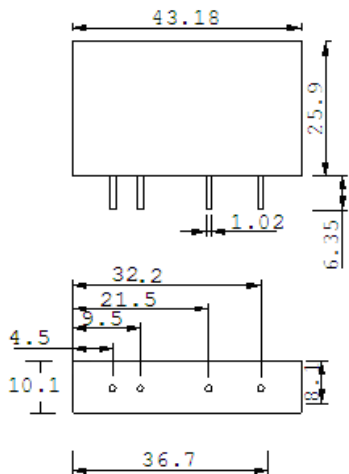
Output Specifications

Type	SDD.P – 60 – 3/5/10	SDD.P-100-3/5/10	SDD.P – 200 – 3/5/10
Output Voltage Range V	5 – 60 VDC	5-100 VDC	5 – 200 VDC
Output Current (45°C) IT	3 A @ 25 deg		
On-state Voltage Drop (VTM)	.6 VDC		
Turn – On Time T-on	600 μs		
Turn – Off Time T-off	500 μs	500 μs	800 μs
Maximum Load current (Arms)			
Minimum Load Current (Arms)			
Max. Leakage current	100μA	100μA	100μA
Isolation between input/ voltage	4KV	4KV	4KV

General Specifications

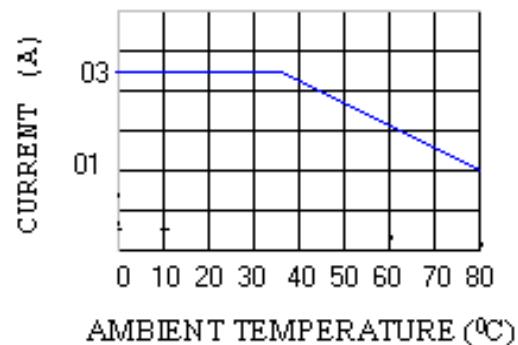
Type	SDD.P – 60 – 3/5/10	SDD.P-100-3/5/10	SDD.P – 200 – 3/5/10
Dielectric strength	Min. 2500 VACrms	Min. 2500 VACrms	Min. 2500 VACrms
Insulation (I/P to O/P , I/P to case, O/P to case)	4000 VAC rms	4000 VAC rms	4000 VAC rms
Operating temp.	– 30°C to +80°C	– 30°C to +80°C	– 30°C to + 80°C
Storage temp	– 30°C to + 125 °C	– 30°C to + 125 °C	– 30°C to + 125 °C
Weight	20gms		
Encapsulation	Thermally Conductive Epoxy		

Dimensions



NOTE: ALL DIMENSIONS ARE IN mm.

Characteristics Curve



SATRONIX (INDIA) Pvt.Ltd.:

OFFICE: 412, Laxmi Plaza, Laxmi Indl. Est., Link Rd, Andheri (W), Mumbai- 400 053,INDIA

Tel: 91 22 26325242 Fax: 91 22 26325242

Works:Unit No. 1,Electronic Sadan 1/Unit No.12, Electronic Sadan 3,Bhosari MIDC, PUNE –411026,INDIA

Tele/ fax: 91(020) 27122758

Email :satronix@gmail.com & sales@satronixindia.com