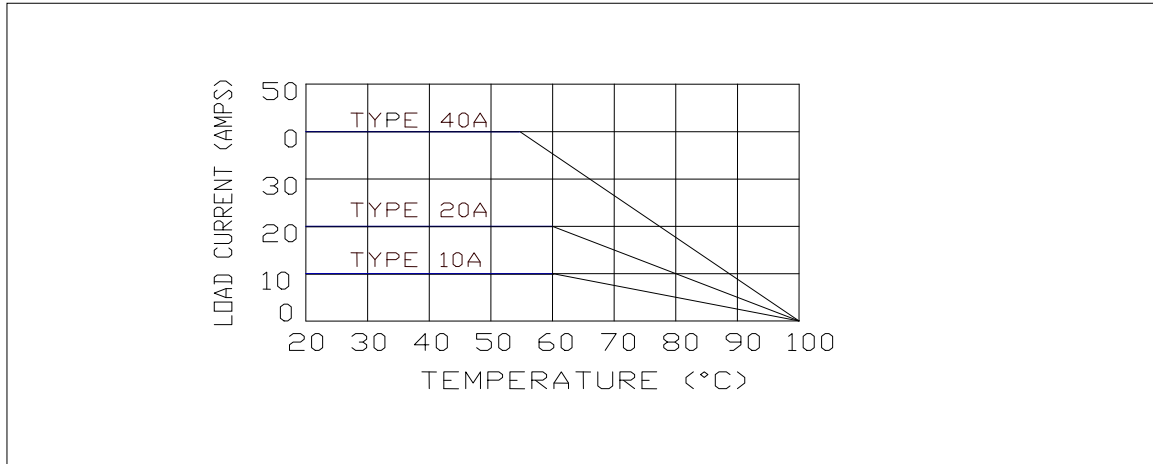


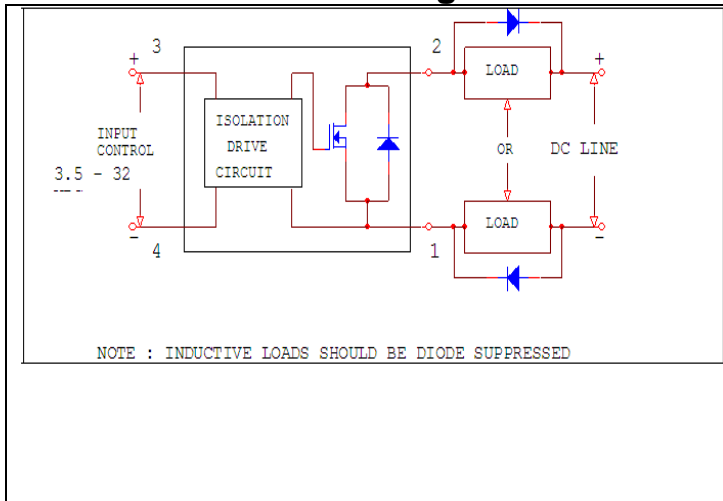
General Specifications

Type	SDD – 100/200/330/400/600 – 10	SDD – 100/200/330/400/600 – 20	SDD – 100/200/330/400/600 – 40
Dielectric strength	Min. 2500 VACrms	Min. 2500 VACrms	Min. 2500 VACrms
Galvanic separation (I/P to O/P , I/P to case, O/P to case)	4000 VAC rms	4000 VAC rms	4000 VAC rms
Operating temp.	– 40°C to +80°C	– 40°C to +80°C	– 40°C to + 80°C

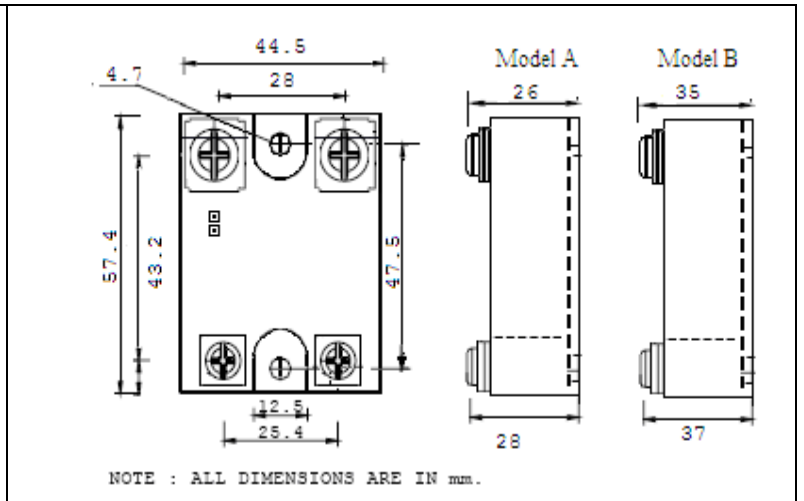
Characteristic Curves



Connection diagram



Dimensions



SATRONIX (INDIA) Pvt.Ltd.

OFFICE: 412, Laxmi Plaza, Laxmi Indl. Est., Link Rd, Andheri (W), Mumbai- 400 053.INDIAh
 Works:Unit No. 1,Electronic Sadan 1/Unit No.12, Electronic Sadan 3,Bhosari MIDC, PUNE –411026,INDIA
Tele:91 2226325242, 919820143488 **FAX:** 91 22 26325242, 91(020) 27122758
 Email: sales@satronix.net satronix@gmail.com