

THREE PHASE REVERSER SOLID STATE RELAY SR3PD-4-., SR3PA-4-., Series

Features

- Designed to allow operation and reversing of the rotating direction of three phase motors.
- Offers a modern alternative to conventional electromechanical three phase reverser.
- Provides isolation through very high immunity Opto-couplers.
- Maximum current is 75 A,
- Models for 2KW, 3KW, 5.5KW, 7.5KW motor under 480 VAC or 600 VAC to be driven at high switching frequencies while taking account of starting currents.
- Built- in Interlocking Included.
- DC and AC models available



Ordering Key

Switching Poles	Switching Mode	Rated operational voltage	Control Voltage	Motor Power rating
SR3PA- 2 Pole	R: Reversing	4: 48-530VAC	A:90-280 VAC	2.2KW
SR3PD- 2 Pole		6: 48- 600VAC	D: 24VDC, 15% +20%	3.0KW 5.0KW 7.5KW

Control Specifications

	SR3PD	SR3PA
Rated control input voltage	24 VDC	230VAC
Control Voltage Range	15-32 VDC	90- 280 VAC
Maximum Input Current	10mA	15 mA
Pick up Voltage	15 VDC	90VAC
Maximum Reverse Voltage	32VDC	N/A
Drop out voltage	1 VDC	10 VAC
Response Pick up time	5 ms	30 ms
Response Drop out time	15 ms	30 ms
Operational Frequency range	N/A	47 ~ 63 Hz
LEDs	Forward: Green Reverse: Red	Forward: Green Reverse: Red



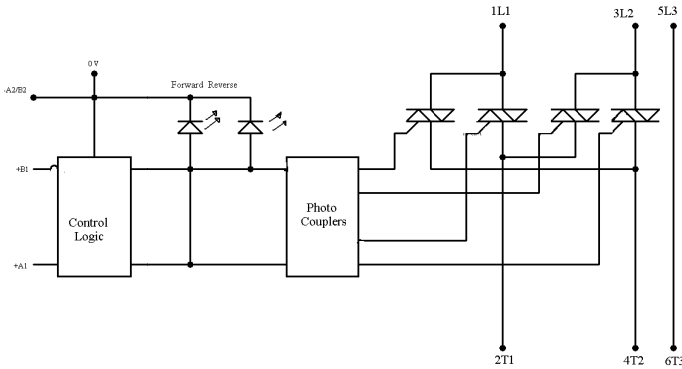
Load Specifications

	SR3PD					SR3PA				
	10A	25A	40A	50A	75A	10A	25A	40A	50A	75A
Line Voltage RMS	100 to 480 VAC					48-480VAC				
Repetitive Peak Off State Voltage	1200Vpk ~ 480 VAC 1600Vpk ~600 VAC					1200Vpk~ 480VAC 1600Vpk~ 600VAC				
Maximum current per phase Models	10 / 25 / 40 / 50/ 75 Amps per phase					10 /25 / 40/ 50/ 75 Amps per phase				
Max. On state voltage drop @ rated current	1.6 VAC rms					1.6 VAC rms				
Peak non-repetitive current (10 ms)(1 cycle) ITSM Amps	10A	25A	40A	50A	75A	10A	25A	40A	50A	75A
	100	250	400	550	1000	100	250	400	550	1000
Off-state leakage current @ rated voltage and frequency	< 3 mA rms					< 3 mA rms				
Critical Rise of off state voltage dv/dt V/μs @ Tjunc= 25°C and t=10ms	1000 V/μs					1000 V/μs				

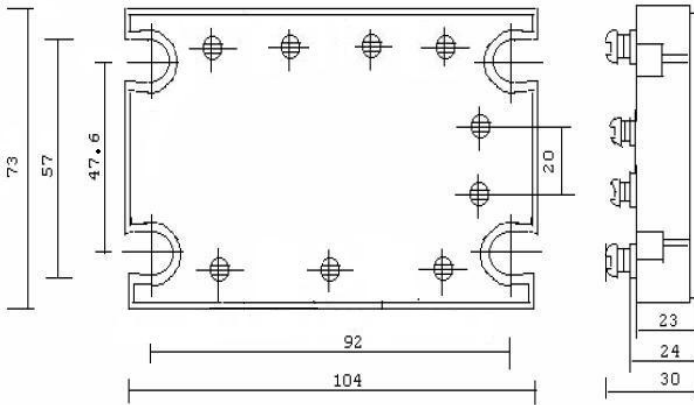
General Specifications

Operating temperature	-25°C to 60°C	-25°C to 60°C
Storage temperature	-40°C to 100°C	-40°C to 100°C
RoHS	Yes	Yes
Humidity	95% with no condensation@40 °C	95% with no condensation@ 40 °C
Critical Rise of off state voltage dv/dt V/μs @ Tjunc= 25°C and t=10ms	1000 V/μs	1000 V/μs
Weight	125 gms	125 gms

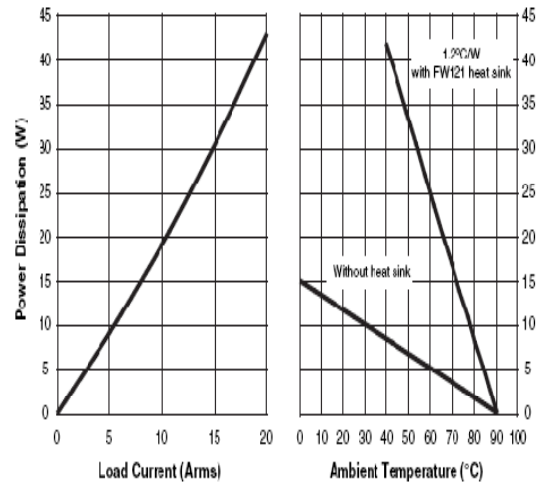
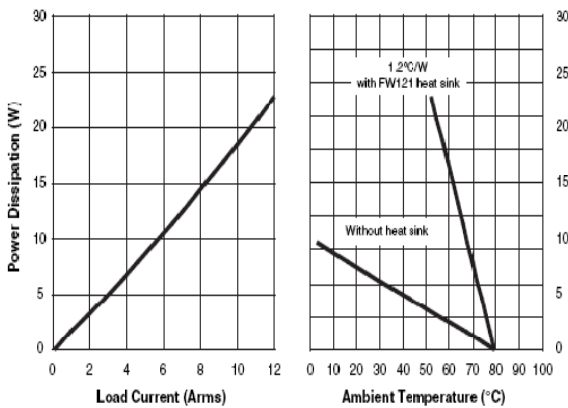
Block diagram



Mechanical drawing



THERMAL CHARACTERISTICS



SATRONIX (INDIA) Pvt.Ltd.

OFFICE: 412, Laxmi Plaza, Laxmi Indl. Est., Link Rd, Andheri (W), Mumbai- 400 053,INDIA

Works:Unit No. 1,Electronic Sadan 1/Unit No.12, Electronic Sadan 3,Bhosari MIDC, PUNE -411026,INDIA

Tele: 91 22 26325242 91(020) 27122758 FAX: 91 22 26325242

91(020) 27129518 Email: sales@satronix.net