



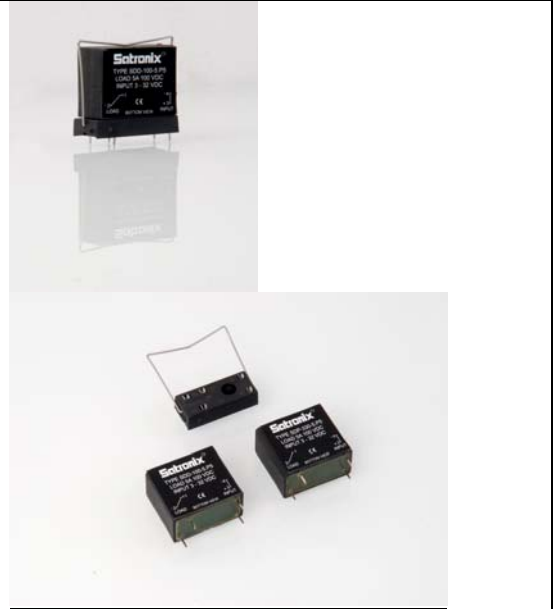
www.satronixindia.com

## PCB MOUNT PLUG IN TYPE DC - SSR SDD-60-3 , SDD-100-3/5 , SDD-100 -10

### Features

- Photo coupler isolation
- No noise feedback from O/P to I/P circuits.
- Faster switching response.
- Long life highly reliable.
- LED indication.
- Capable of switching up to 3 amp loads.
- Higher ratings/ custom-built models are available on request
- Available models upto 3 to 10 Amp Mosfet based

SDD-60-3/5 P5  
SDD-100-3 P5  
SDD-100-5 P5  
SDD-100- 10 P5



### Type Selection Guide

Input Control Voltage	Rated Operational Voltage	Rated Operational current AC rms.			
		2 Amps	3 Amps	5 Amps	10 Amps
3-32 VDC (5/12/24/48)	5-60 VDC	SDD-60-2.5P5	SDD-60-3.12 P5	SDD-60-5.24 P5	SDD-60-10.48 P5
3-32 VDC (5/12/24/48)	5-100 VDC	SDD-100 -2.5P5	SDD-100-3.12P5	SDD-100-5.24P5	SDD-100-10.24P5

### Input Specifications

Type	SDD- 6 - 3 P5	SDD-100-3/5 P5	SDD -100 - 10 P5
Input Control Voltage	3 - 32 VDC		
Reverse Voltage Protection	30 VDC		
Reverse Voltage	1 VDC		
Input Current	10 mA		

#### SATRONIX (INDIA) Pvt.Ltd.

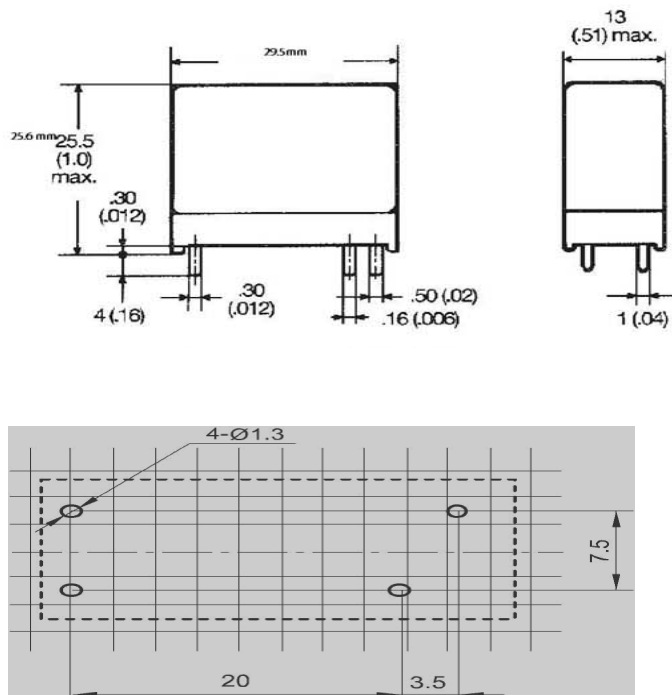
OFFICE: 412, Laxmi Plaza, Laxmi Indl. Est., Link Rd, Andheri (W), Mumbai- 400 053.INDIA  
Tel: 91 22 26325242 Fax: 91 22 26325242 Works:Unit No. 1,Electronic Sadan 1/Unit No.12, Electronic Sadan 3,Bhosari MIDC,  
PUNE - 411026,INDIA Email: [sales@satronixindia.com](mailto:sales@satronixindia.com)

## Output Specifications

Type	SDD- 60 - 3/5/10 P5	SDD-100-3/5 P5	SDD - 100 - 10P5
Output Voltage Range V	5 – 60 VDC	5-100 VDC	5 – 100 VDC
Output Current (45°C) IT	3 A @ 25 deg		
On-state Voltage Drop (VTM)	Less than 1.6 VDC		
Turn – On Time T-on	600 μs		
Turn – Off Time T-off	500 μs	500 μs	800 μs
Max. Leakage current	100μA	100μA	100μA
Isolation between input/ voltage	2500	2500	2500

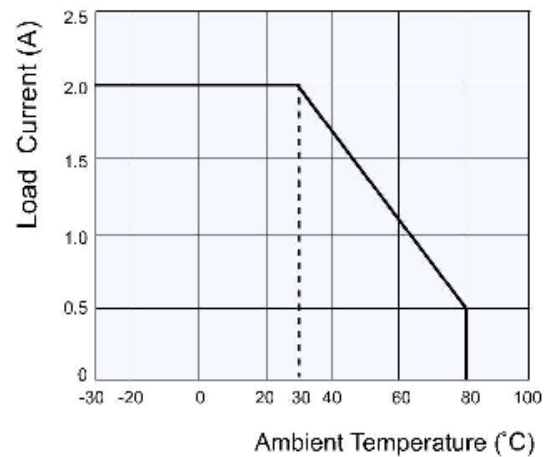
## Dimensions

### SDD -60-3 /5 P5 , SDD -100 -3 /5/ 10 P5



## Characteristics Curve

### Max. Load Current vs. Ambient Temperature



### SATRONIX (INDIA) Pvt.Ltd.

OFFICE: 412, Laxmi Plaza, Laxmi Indl. Est., Link Rd, Andheri (W), Mumbai- 400 053.INDIA Tel: 91 22 26325242 Fax: 91 22 26325242  
 Works:Unit No. 1,Electronic Sadan 1/Unit No.12, Electronic Sadan 3,Bhosari MIDC, PUNE -411026,INDIA

Email: [sales@satronixindia.com](mailto:sales@satronixindia.com)