



www.satronixindia.com

PCB MOUNT TYPE DC – SSR **SDD-60-3 /SDD-100-5/ SDD-200-3/5**

Features

- Economical photo coupler isolation
- No noise feedback from O/P to I/P circuits.
- Faster switching response.
- Long life highly reliable.
- LED indication.
- Capable of switching up to 3 amp loads.
- Higher ratings/ custom-built models are available on request
- Available models

SDD-60-3

SDD-100-3

SDD-100-5

SDD-200-3/5

SDD-330-3 / SDD-330-5

Special : SDD-1000-10 / 25 in chassis mounting



Type Selection Guide

Input Control Voltage	Rated Operational Voltage	Rated Operational current AC rms.
		3 amps / 5 amps
3-32 VDC (5/12/24/48/110/220)	5-60 VDC	SDD-60-3 SDD-60-3.05/ SDD-60-3.12/SDD-60-3/24.....
3-32 VDC	5-100 VDC	SDD-100-3/ 5
3-32 VDC	5-200 VDC 5-330 VDC	SDD-200-3/ 5 SDD-330-3/ 5

Input Specifications

Type	SDD – 60 – 3	SDD-100-3/5	SDD – 200 – 3/5
Input Control Voltage	3 – 32 VDC		
Reverse Voltage Protection	30 VDC		
Reverse Voltage	1 VDC		
Input Current	15 mA		

SATRONIX (INDIA) Pvt.Ltd.

OFFICE: 412, Laxmi Plaza, Laxmi Indl. Est., Link Rd, Andheri (W), Mumbai- 400 053.INDIA

Tel: 91 22 26325242 Fax: 91 22 26325242 Works:Unit No. 1,Electronic Sadan 1/Unit No.12, Electronic Sadan 3,Bhosari MIDC,

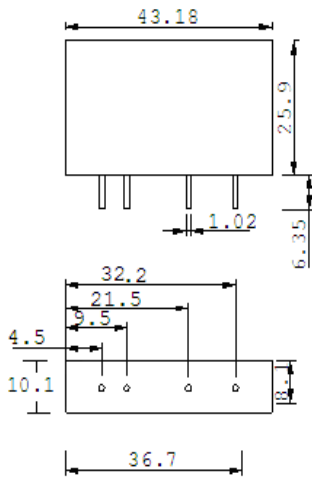
PUNE - 411026,INDIA Email: sales@satronixindia.com

Output Specifications

Type	SDD – 60 – 3	SDD-100-3 /5	SDD – 200 – 3/5 SDD-330-3/5
Output Voltage Range V	5 – 60 VDC	5-100 VDC	5 – 200 VDC 5 – 330 VDC
Output Current (45°C) IT	3 A @ 25 deg		
On-state Voltage Drop (VTM)	1.6 VDC		
Turn – On Time T-on	600 μs		
Turn – Off Time T-off	500 μs	500 μs	800 μs
Max. Leakage current	100μA	100μA	100μA
Isolation between input/ voltage	4KV	4KV	4KV

Dimensions

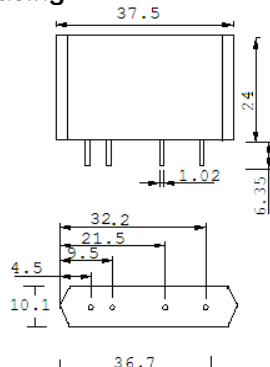
SDD-60-5 /SDD-100-5 /SDD-200-3 /5
Casing 1



NOTE: ALL DIMENSIONS ARE IN mm.

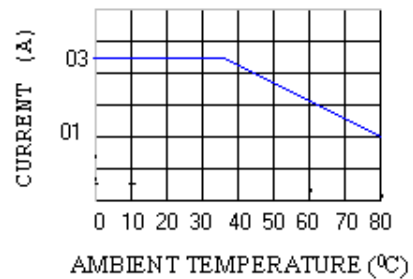
Dimensions

SDD-60-3 / SDD-100-3
Casing 2



NOTE: ALL DIMENSIONS ARE IN mm.

Characteristics Curve



SATRONIX (INDIA) Pvt.Ltd.

OFFICE: 412, Laxmi Plaza, Laxmi Indl. Est., Link Rd, Andheri (W), Mumbai- 400 053,INDIA Tel: 91 22 26325242 Fax: 91 22 26325242

Works:Unit No. 1,Electronic Sadan 1/Unit No.12, Electronic Sadan 3,Bhosari MIDC, PUNE -411026,INDIA

Email: sales@satronixindia.com